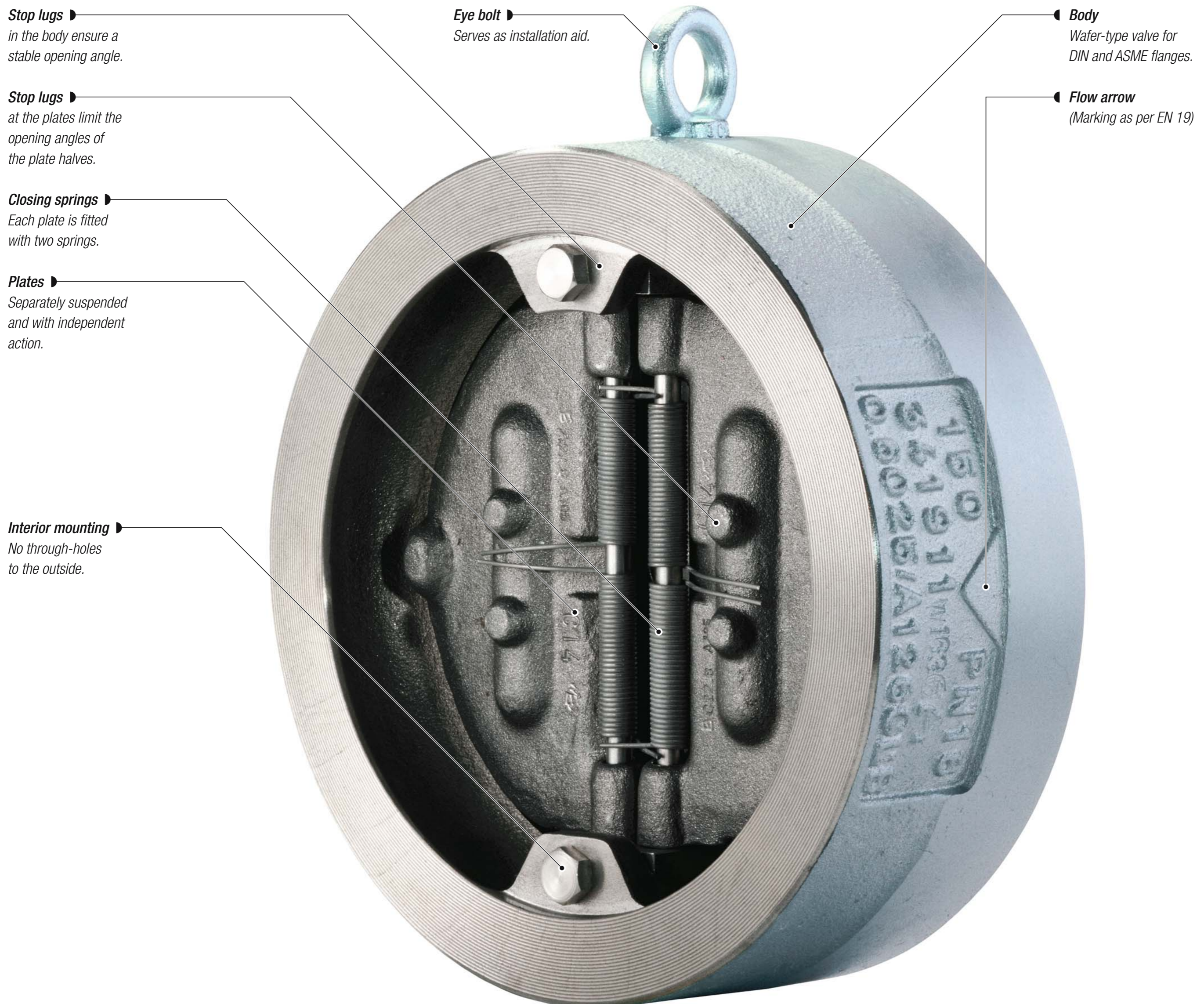


# GESTRA DISCOCHECK® Dual-Plate Check Valve

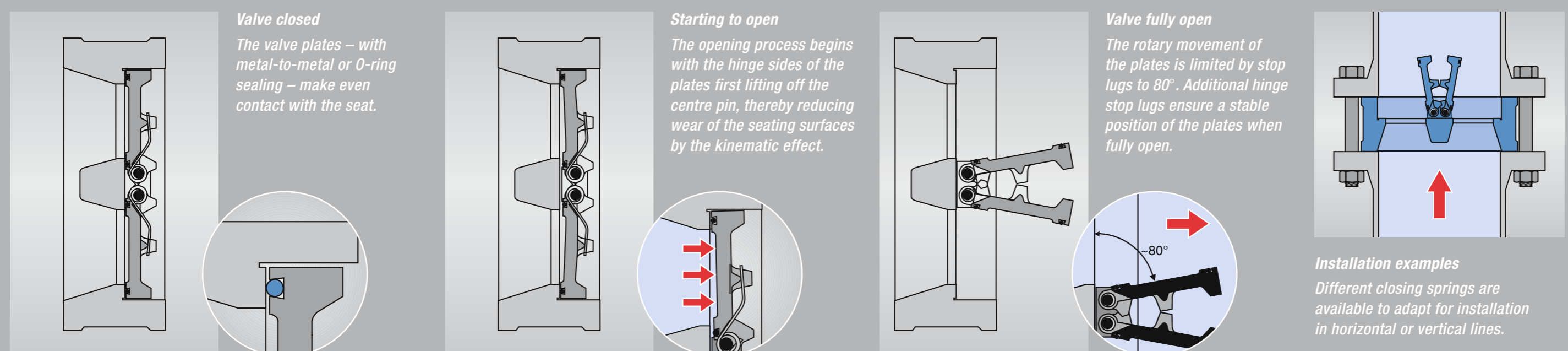
Type BB, DN 100–1200 (4–48"), up to PN 160

# FLOWSERVE®

GESTRA



## Functional principle



GESTRA AG

Münchener Str. 77, D-28215 Bremen  
P.O. Box 10 54 60, D-28054 Bremen

Telephone ++49 (0) 421-35 03-0  
Telefax ++49 (0) 421-35 03-393

E-mail [gestra.ag@flowserve.com](mailto:gestra.ag@flowserve.com)  
Internet [www.gestra.de](http://www.gestra.de)